

**ILLUMINATED
INDOOR
SCORETABLE**



STANDARD COLOR PADS (CUSTOM COLORS AVAILABLE)

BLACK	NAVY	BLUE	BRISTOL BLUE	PURPLE	BURGUNDY	RED	ORANGE	YELLOW GOLD	GREEN	FOREST GREEN
-------	------	------	--------------	--------	----------	-----	--------	-------------	-------	--------------

OVERALL DIMENSION

6' (2-3 People): 2'8" High x 6' Wide x 29" Deep.
 8' (3-4 People): 2'8" High x 8' Wide x 29" Deep.
 10' (4-5 People): 2'8" High x 10' Wide x 29" Deep.
Bleacher mount scoretables will add 9.5" to the height of the scoretable.

DISPLAY AREA

6' Table: 25" High x 66.2" Wide
 8' Table: 25" High x 90.2" Wide
 10' Table: 25" High x 116.2" Wide

CONSTRUCTION

Durable steel frame. Face panels made from shatter-proof polycarbonate. Digitally printed faces are illuminated by an LED lit lightpan. Available in floor and bleacher mounted models. Cup holders and tabletop outlets included in black 3/4" composite laminate tabletop.

FLOOR OR BLEACHER MOUNT

Bleacher mount version contains additional pads in front below display area, adding 9.5" to overall height. Designed to either sit in front of the bleachers or sit inside on the bleacher floor. Both models have skid resistant polyurethane castors for easy mobility.

HORN

None in the standard models. Horn Installed in the Scoreboard variations.

SERVICING

Front access for LED modules. Rear access for Power Bus Bar and Power Supply replacement.

POWER REQUIREMENTS

120VAC. Minimum one 20A circuit is recommended. Each unit contains 2 Power Grommets installed on the tabletop for easy access to power sport consoles, laptops, possession indicators, etc.

INSTALLATION

Uncrate. Scoretable is portable via skid resistant polyurethane wheels.

STORAGE

Available canvas covers help protect your table when not in use. Table does not fold up for storage.

WARRANTY

Limited 1 year warranty against defects in materials and workmanship. Factory repair service for parts in warranty. Union label. UL Certified.

VARIATIONS

	FLOOR MODELS	BLEACHER MODELS
6' Table (2 to 3 People)	SCTBL6FTFL	SCTBL6FTBCH
8' Table (3 to 4 People)	SCTBL8FTFL	SCTBL8FTBCH
10' Table (4 to 5 People)	SCTBL10FTFL	SCTBL10FTBCH
w/ built in Scoreboard	Available in 8' and 10' models, compatible with other 9000 Series scoreboards and Consoles. Displays Time, Score, Period, Bonus/Double Bonus.	
Deluxe LED Video Scoretables	See Deluxe Scoretables for more information. Standard and Deluxe Tables are not intended to be combined. Angled face, Aluminum Tabletop, 2.9, 3.9, and 5.9mm available.	

**INDOOR
SCOREBOARD
SCORETABLE**



STANDARD COLOR PADS (CUSTOM COLORS AVAILABLE)



OVERALL DIMENSION	8' (3-4 People): 2'8" High x 8' Wide x 29" Deep. 10' (4-5 People): 2'8" High x 10' Wide x 29" Deep. <i>Bleacher mount scoretables will add 9.5" to the height of the scoretable.</i>
DISPLAY AREA	8' Table: 25" High x 90.2" Wide 10' Table: 25" High x 116.2" Wide
CONSTRUCTION	Durable steel frame. Face panels made from shatter-proof polycarbonate. Digitally printed faces are illuminated by an LED lit lightpan. Available in floor and bleacher mounted models.
FLOOR OR BLEACHER MOUNT	Bleacher mount version contains additional pads in front below display area, adding 9.5" to overall height. Designed to either sit in front of the bleachers or sit inside on the bleacher floor.
INFORMATION DISPLAYED	Game Time, Home and Guest Score, Period, Bonus & Double Bonus
DIGITS	Bright Red and Amber, 7-Segment LEDs.
GAME TIME	10" High Red Digits, Shall register 0:00 - 99:59, 1/10 second capable.
SCORE	10" High Amber Digits, Shall register 0-199.
PERIOD	6" High Amber Digits, Shall register 1-4, 0 (overtime).
BONUS / DOUBLE BONUS	Indicated by 2" Red LED Indicators.
CAPTIONS	White vinyl letters.
HORN	100dB Horn Installed.
SERVICING	Front access for Digits and Controller Assembly.
POWER REQUIREMENTS	120VAC. Minimum one 20A circuit is recommended. Each unit contains 2 Power Grommets installed on the tabletop for easy access to power sport consoles, laptops, possession indicators, etc.
INSTALLATION	Uncrate. Scoretable is portable via skid resistant polyurethane wheels.
STORAGE	Available canvas covers help protect your table when not in use. Table does not fold up for storage.
WARRANTY	Limited 1 year warranty against defects in materials and workmanship. Factory repair service for parts in warranty. Union Label. UL Certified.
AVAILABLE CONTROL CONSOLE (SOLD SEPARATELY) Connect with new or existing 9000 Scoreboard Console (MSC9000 or HRBK9000). Control independently or with existing 9000 Series system.	MSC9000 (Multi-sport Desktop Console) Extruded Aluminum, high impact low profile microprocessor control console. 5" high x 10.25" wide x 9" deep. Weight: 4.3 lbs. Radio (1600 ft) is standard, simultaneous hardwire option included. Internal rechargeable battery. Switch between multiple sports by changing the slip sheet. HRBK9000 (Handheld Basketball Remote) 6.5" high x 3" wide x 1" deep. Radio (500 ft) is standard. Internal rechargeable battery.



TABLETOP POWER GROMMETS

Each table has 2 Tabletop Power Grommets installed for easy power access for Control Consoles, Possession Indicators, Laptops, etc. Each Power Grommet contains 2 AC Outlets, a USB-C and a USB-A.

SLEEK BLACK TABLETOP

We've replaced the wood grain tabletop with a sleek black finish, including Cup Holders and Power Grommets.



IMPROVED STRENGTH

We've eliminated all hinges to supply a stronger, more reliable tabletop. New optional canvas covers fit new and old style tables (with the tabletop down).



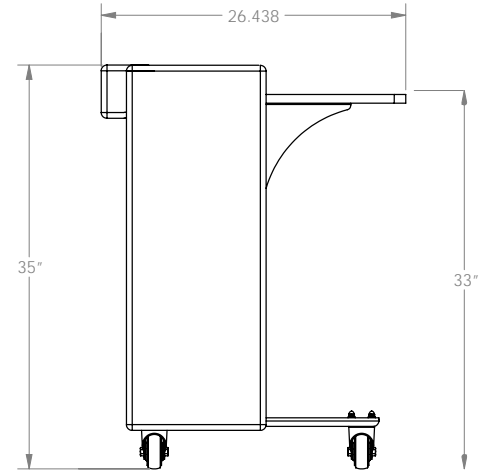
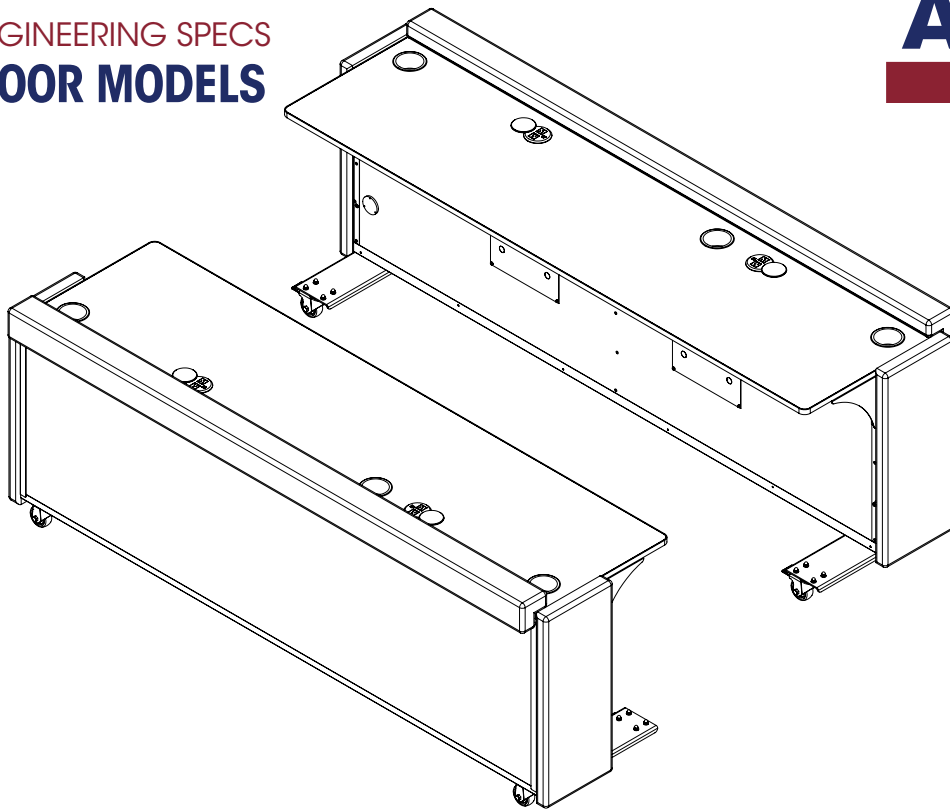
POWER INLET

Plug in the table with any standard 14 AWG extension cord (not supplied).

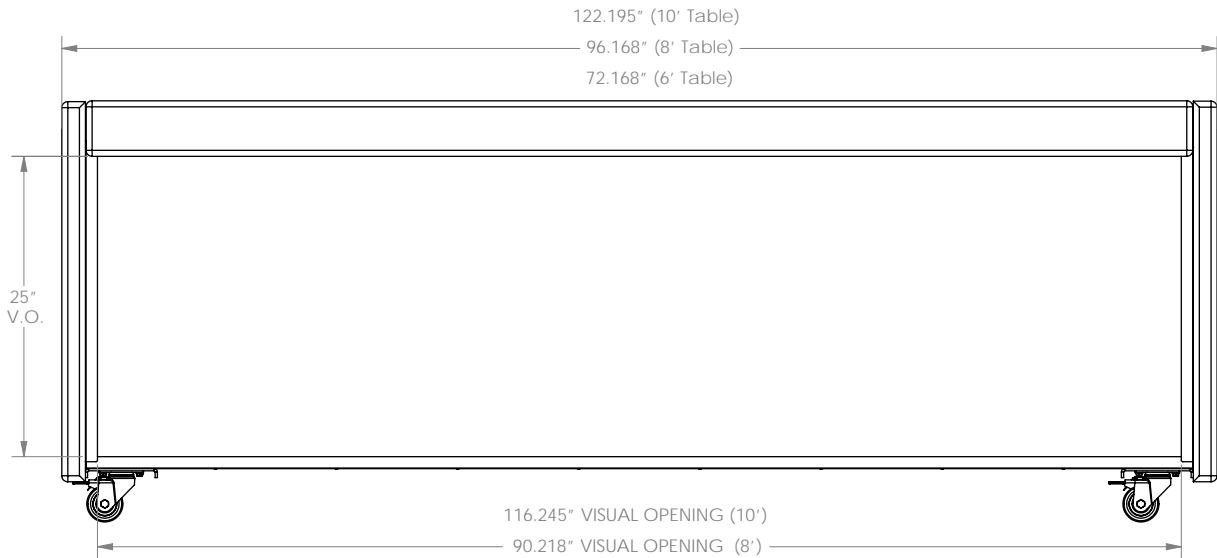
HEAVY-DUT CASTERS

Locking Casters on the operator side ensures the table remains in position until time to move into storage. These 3" casters are designed for easy mobility over floor transitions.

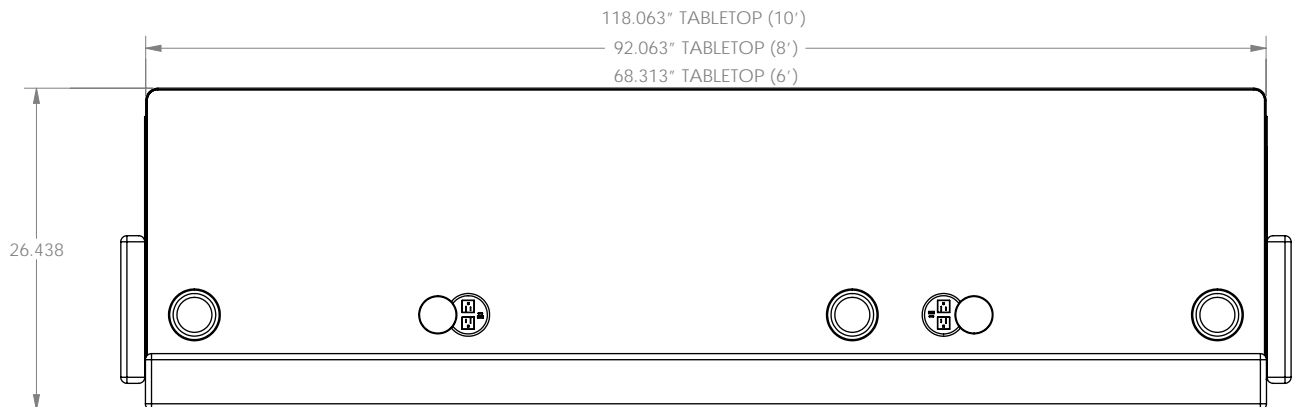




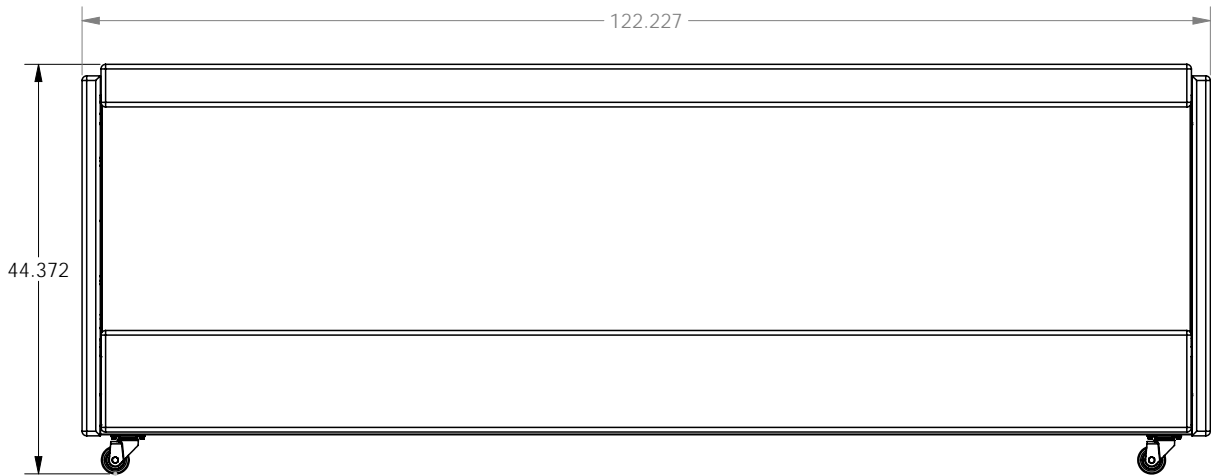
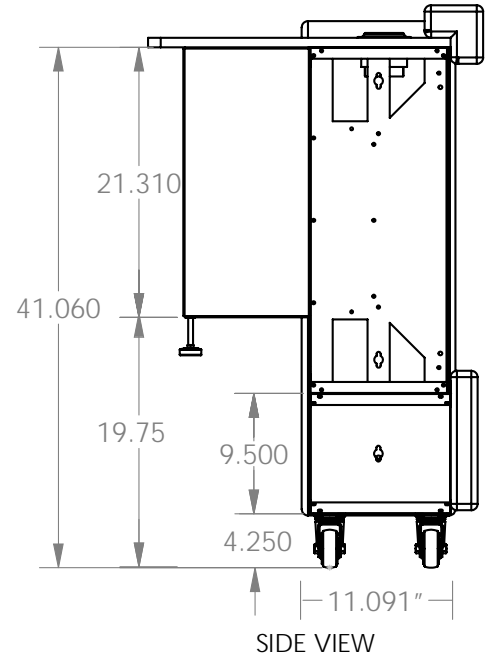
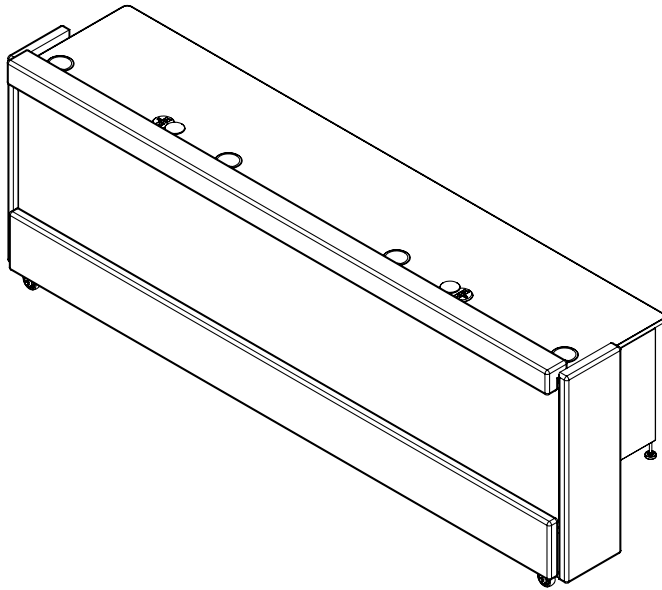
SIDE VIEW



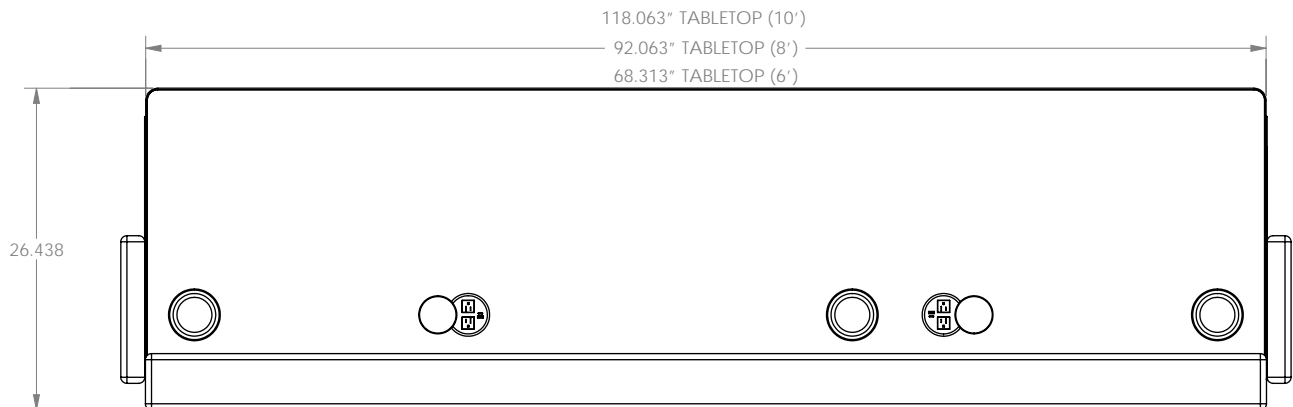
FRONT VIEW



TOP VIEW

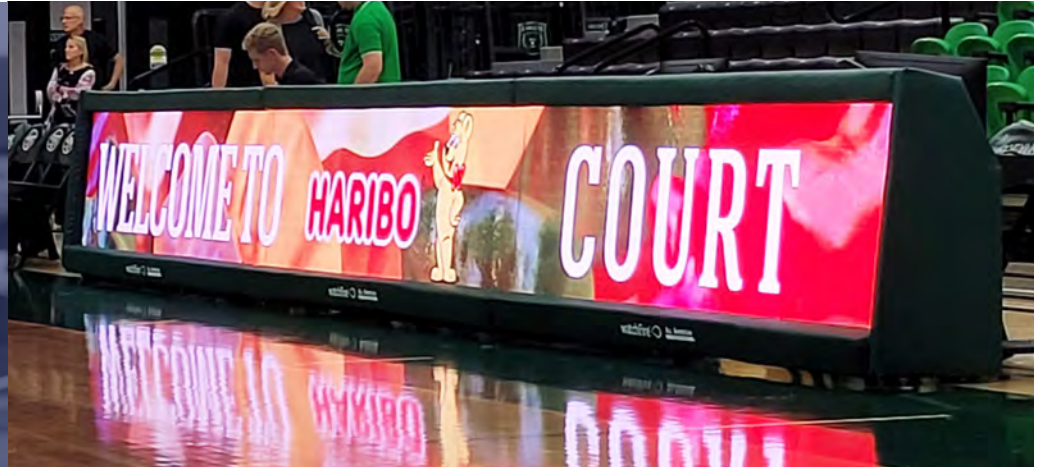


FRONT VIEW



TOP VIEW

**LED INDOOR
DELUXE VIDEO
SCORETABLE**



STANDARD COLOR PADS (CUSTOM COLORS AVAILABLE)



OVERALL DIMENSION

6' (2-3 People): 40.5" High x 74" Wide x 33.75" Deep.
 8' (3-4 People): 40.5" High x 103" Wide x 33.75" Deep.
 10' (4-5 People): 40.5" High x 123" Wide x 33.75" Deep.

DISPLAY AREA

6' Table: 29" High x 69" Wide
 8' Table: 29" High x 99" Wide
 10' Table: 29" High x 118" Wide
 Tables of different lengths can be connected together to create wider continuous display areas (Up to 60'). May also connect to Deluxe Static and Deluxe Scoreboard Scoretables. Displays have a 5° tilt, for ease of viewing from the stands.

RESOLUTION

Available in 2.9mm, 3.9mm, and 5.9mm configurations. (SMD 3-in-1).
 2.9mm, 800 nits, up to 30' in continuous length.
 3.9mm, 800 or 3500 nits, up to 40' in continuous length
 5.9mm, 800 or 3500 nits, up to 60' in continuous length

CONSTRUCTION

Heavy-Duty construction, Union Made in the USA. Black Powder-Coated protection. Durable steel frame. Aluminum formed tabletop. 3" durable non-marking casters for easy transportation. Protective polycarbonate sheet helps protect the display from impact. Cup holders and up to (2) 6-Outlet Tabletop Power Stations. Primary Tables include Top, Bottom and Side Pads. Secondary Tables do not include side pads.

HORN

None in the video models. Horn Installed in the Scoreboard variation.

SERVICING

Front access for LED Module Replacement and access to internal components. Rear access for Power Supply replacement in Deluxe Illuminated Static or Deluxe Scoreboard versions.

POWER REQUIREMENTS

120VAC. Minimum two (2) 15A circuits required; one circuit dedicated to the display and a second for the PC and Accessories. Each unit contains two 6-outlet power stations for sport consoles, laptops, monitors, possession indicators, cell phones, etc.

INSTALLATION

Requires multiple people to uncrate. Crate has built-in ramps to allow scoretable to roll safely from the crate. Scoretable is portable via 3" skid resistant polyurethane wheels.

OPERATING SYSTEM

Ignite Sports PC with preloaded content, including thousands of animations and images for every sport and occasion. Ignite Sports Production and Editing Suite and lifetime training included. Included with Primary Tables only.

VARIATIONS

Primary: Includes top, bottom, side pads, PC and NovaStar Sign Controller.
Secondary: Does not include side pads, or PC or NovaStar Sign Controller.
Deluxe Illuminated Static: Traditional LED backlit static scoretable with printed face.
Deluxe Non-Illuminated Static: Traditional static scoretable with printed face.
Deluxe Scoreboard: Scoretable with a built-in 9000 Series Scoreboard. Requires 9000 Series Desktop or Handheld Console.

STORAGE

Unlock wheels and roll to location. Tabletop does not hinge.

WARRANTY

Limited 5 year warranty against defects in materials and workmanship. Factory repair service for parts in warranty. Union label. UL Certified and FCC Compliant.

PRODUCT SPECIFICATIONS
INDOOR PORTABLE DELUXE SCORETABLE

ALL AMERICAN

SCOREBOARDS®



DEVELOPED, ENGINEERED, MANUFACTURED, ASSEMBLED, TESTED... **UNION MADE IN THE USA**



Features

- 6', 8' and 10' wide tables available. Connectable.
- Durable steel frame.
- Aluminum formed tabletop.
- 3" durable non-marking casters.
- Protective polycarbonate sheet.
- (2) 6-Outlet Tabletop Power Stations (1 on the 6').
- Built in storage areas.
- Includes PC with Ignite Sports.
- Thousands of animations and still images.
- Easily create and edit media for custom content.
- NovaStar Controller
- Adjustable Monitor Stand
- Cup Holders
- Connects to other Video, Backlit and Scoreboard Tables

Available in 2.9mm, 3.9mm, and 5.9mm Pitch.

- 2.9mm, 800 nits, up to 30' in continuous length.
- 3.9mm, 800 or 3500 nits, up to 40' in length.
- 5.9mm, 800 or 3500 nits, up to 60' in length.

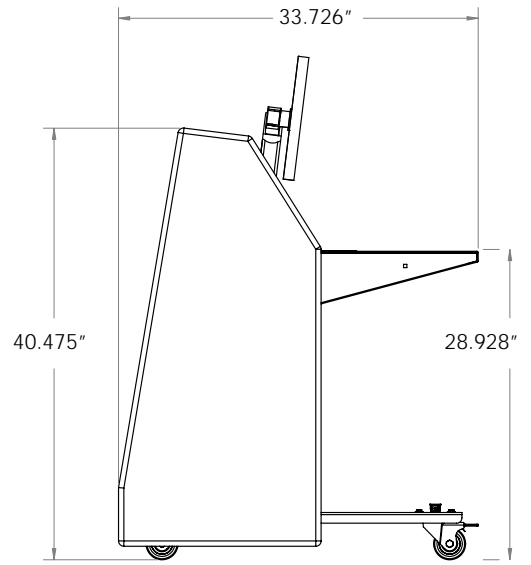
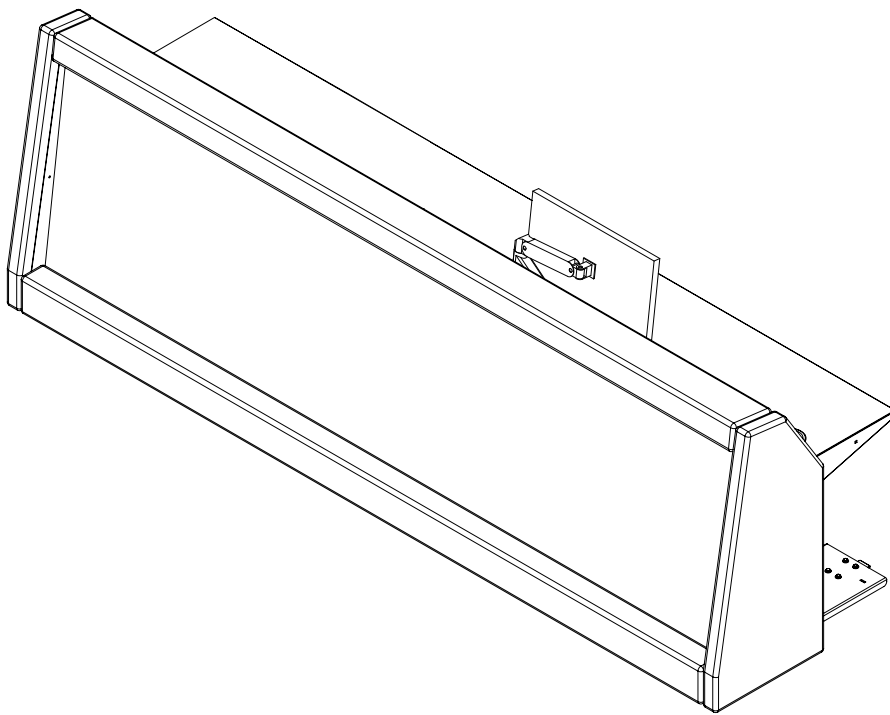
OPERATING SYSTEM

RACKMOUNT PC, IGNITE SPORTS 2.0, VAST MEDIA LIBRARY, OPTIONAL VSI

VIDEO
SCOREBOARD
INTERFACE

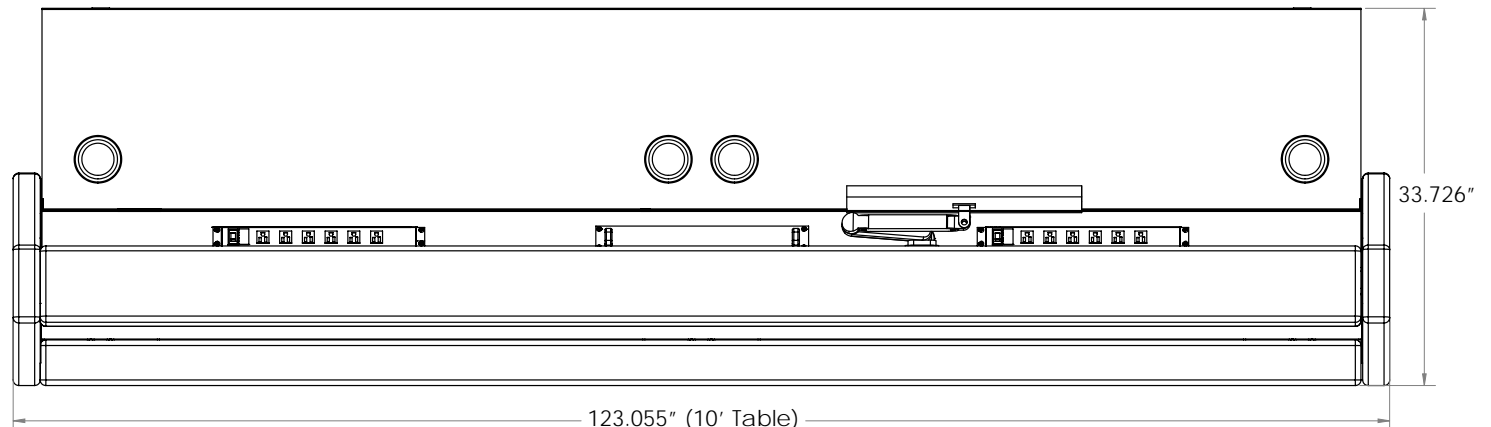
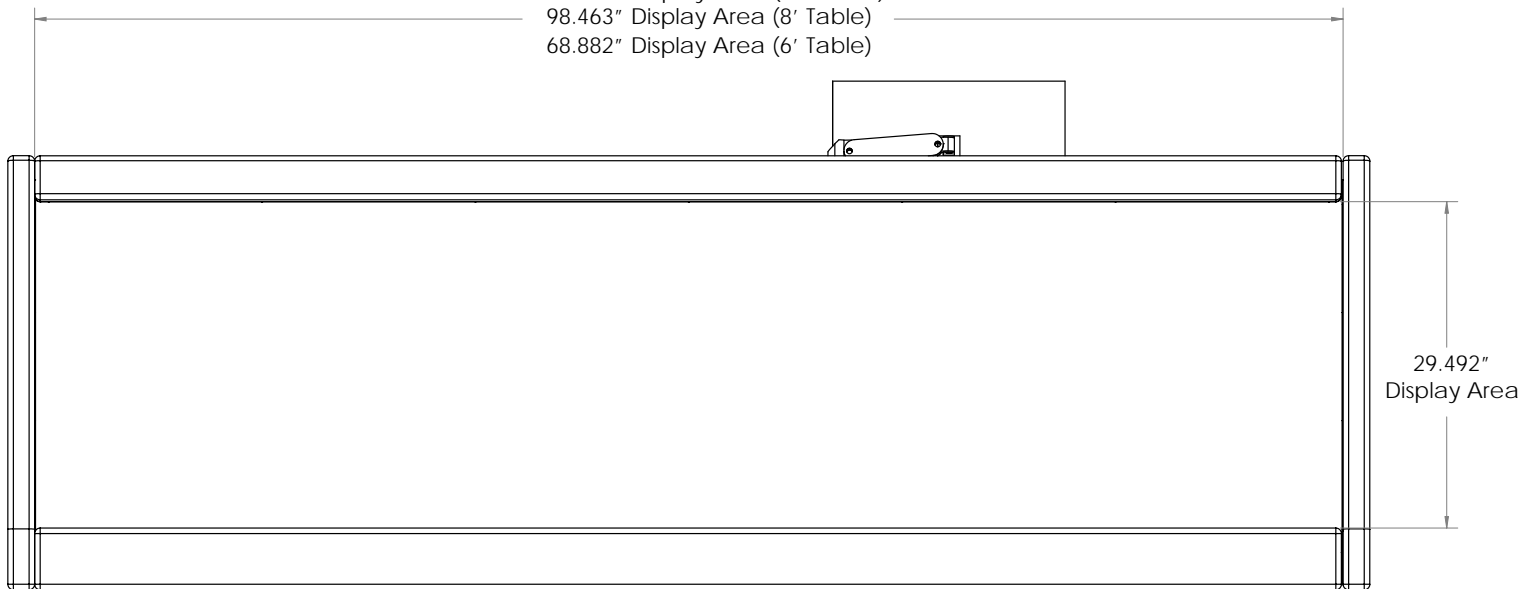


ALL AMERICAN SCOREBOARDS®



SIDE VIEW

118.230" Display Area (10' Table)
 98.463" Display Area (8' Table)
 68.882" Display Area (6' Table)



TOP VIEW

PRODUCT SPECIFICATIONS
BASKETBALL ACCESSORY

ALL AMERICAN
SCOREBOARDS ®

INDOOR POSSESSION INDICATOR
BKBONUS



OVERALL DIMENSION	6.25" High x 23.6" Wide x 3.25" Depth.
CONSTRUCTION	Aluminum Extruded Base, .5" Thick Routed Acrylic. Indoor Use Only
INFORMATION	Possession (Red Arrows), Bonus (Blue Circles).
CAPTIONS	None.
HORN	None.
ELECTRONICS / DIGITS	100% solid state LED Strips, Controlled by membrane keypad on back of unit.
SERVICING	Removable endplates allows access to internal components and acrylic panels.
COMMUNICATION	None.
POWER REQUIREMENTS	100-240VAC, .2 Amp. Plug-In Wall Cube.
INSTALLATION	Sits on table-top or on bracket stand to elevate further above pads. Arrows and Bonus Indicators illuminate above the pads on an All American Scoretable without the need of brackets.
WEIGHT	6 lbs.
WARRANTY	Two-year guarantee against defects in materials and workmanship. Factory repair service for parts in warranty. Union label. UL Certified.

ALTERNATIVE OPTIONS

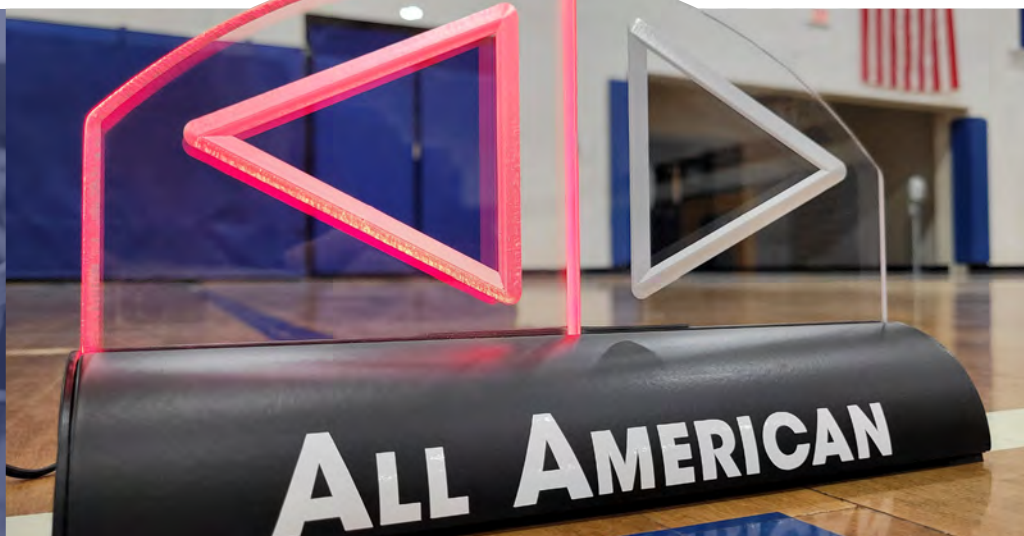
BKPOSS
 (Possession Arrows Only)



PRODUCT SPECIFICATIONS
BASKETBALL ACCESSORY

ALL AMERICAN
SCOREBOARDS®

INDOOR POSSESSION INDICATOR
BKPOSS



OVERALL DIMENSION

6.25" High x 10.6" Wide x 3.25" Depth.

CONSTRUCTION

Aluminum Extruded Base, .5" Thick Routed Acrylic. Indoor Use Only.

INFORMATION

Possession (Red Arrows).

CAPTIONS

None.

HORN

None.

ELECTRONICS / DIGITS

100% solid state LED Strips, Controlled by membrane keypad on back of unit.

SERVICING

Removable endplates allows access to internal components and acrylic panels.

COMMUNICATION

None.

POWER REQUIREMENTS

100-240VAC, .2 Amp Plug-In Wall Cube.

INSTALLATION

Sits on table-top or on bracket stand to elevate further above pads. Arrows and Bonus Indicators illuminate above the pads on an All American Scoretable without the need of brackets.

WEIGHT

3 lbs.

WARRANTY

Two-year guarantee against defects in materials and workmanship. Factory repair service for parts in warranty. Union label. UL Certified.

ALTERNATIVE OPTIONS

BKBONUS
 (Possession Arrows & Bonus Indicators)

