



Operating Instructions & Service Manual



Scoring Tables

TABLE OF CONTENTS

	<u>PAGE</u>
<u>1. GENERAL INFORMATION</u>	3
1.1 DESCRIPTION	
1.2 DAMAGE	
1.3 DAMAGE CLAIM PROCEDURE	
<u>2. INSTALLATION</u>	4
2.1 GENERAL INFORMATION	
2.2 INSPECTION	
2.3 SETUP	
2.4 ELECTRICAL CONNECTIONS	
<u>3. REPLACEMENT PARTS LIST</u>	6
3.1 SCORING TABLE PARTS	



1. GENERAL INFORMATION

1.1 Description

Your All American Scoring Table has been carefully inspected and tested before leaving the factory. It is possible, however, that components may be loosened or forced out of adjustment in transit. If this occurs, follow the troubleshooting guide (section 4). If equipment then fails to operate, contact immediately:

ALL AMERICAN Service Department
EVERBRITE Corporation
P.O. Box 100
Pardeeville, WI 53954
Telephone: (608) 429-2121
Toll Free: 800-356-8146

Parts being returned for repair are to be sent to:

ALL AMERICAN Service Department
EVERBRITE Corporation
401 S. Main Street
Pardeeville, WI 53954
E-mail score@everbrite.com

NOTE

If you need to send parts in for repair, please call the ALL AMERICAN service department for a returned goods authorization (RGA) number.

1.2 Damage

Upon receipt, check for visible damage. If this occurs, or if damage is found after shipment has been accepted, follow the damage claim procedure.

1.3 Damage Claim Procedure

An instruction sheet is enclosed advising the consignee in case of damage in transit. If damage is noted at the time of delivery, consignee must obtain an 'Inspection of Bad Order' from the delivering carrier. In order to process your claim, this must be properly filled out with a complete statement of all damage and it must be signed by the carrier.

If damage is discovered after delivery, you should call the delivery company. Have them make out a Concealed Damage Report. Fifteen days after delivery are allowed, so this should be done promptly or it is impossible to process this claim.



Advise EVERBRITE corporation of necessary replacement parts or repairs.

Consignee will be invoiced and then should file a claim with the carrier to recover charges. To file your claim follow this procedure:

- (A) Cost of replacement parts or repair charges are invoiced to the carrier by the consignee.
- (B) The following documents, properly filled out, plus invoice are forwarded to the trucking company in support of your claim:
 - (a) Original bill of lading
 - (b) Original paid freight bill
 - (c) Certified copy of original invoice
 - (d) Standard form for presentation of loss and damage claim

2. INSTALLATION

2.1 General Information

Shipping papers accompany each scoring table. Check carefully to see that you receive everything ordered.

2.2 Inspection

Tighten all screws, lamps, and fittings that may have loosened in shipment.

**NEVER MOVE TABLE WITHOUT FIRST LOCKING
THE TABLE TOP IN THE DOWN POSITION !**

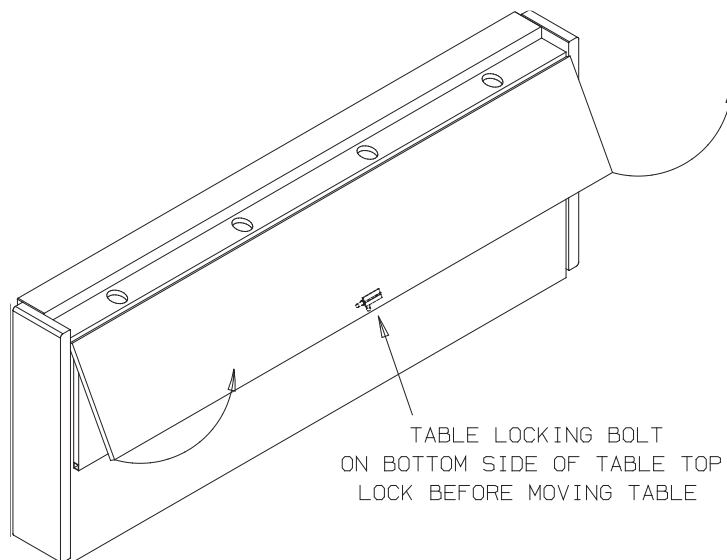


FIGURE 1

2.3 Setup

Referring to figure 1, unlock the table top, and swing table top up to a horizontal position.

Referring to figures 2 and 3, while holding table top pull wings out until they are perpendicular to the back of the scoring table.

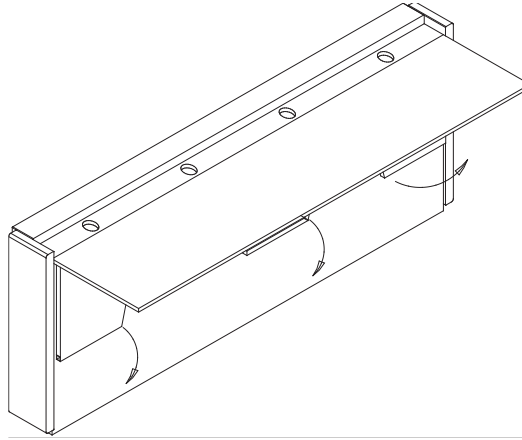


FIGURE 2

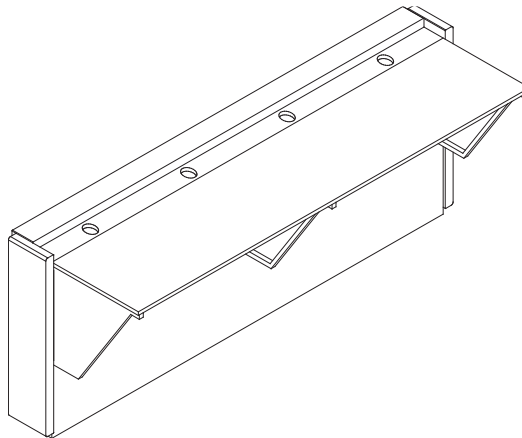


FIGURE 3

Put the end pads on the table, making sure the left pad goes on the left side and the right pad goes on the right side. Position the table as needed and plug the power cord into an outlet.

2.4 Electrical Connections

This scoring table plugs into a 120 V. 20 AMP AC outlet.

3. REPLACEMENT PARTS

3.1 Scoring Table Parts

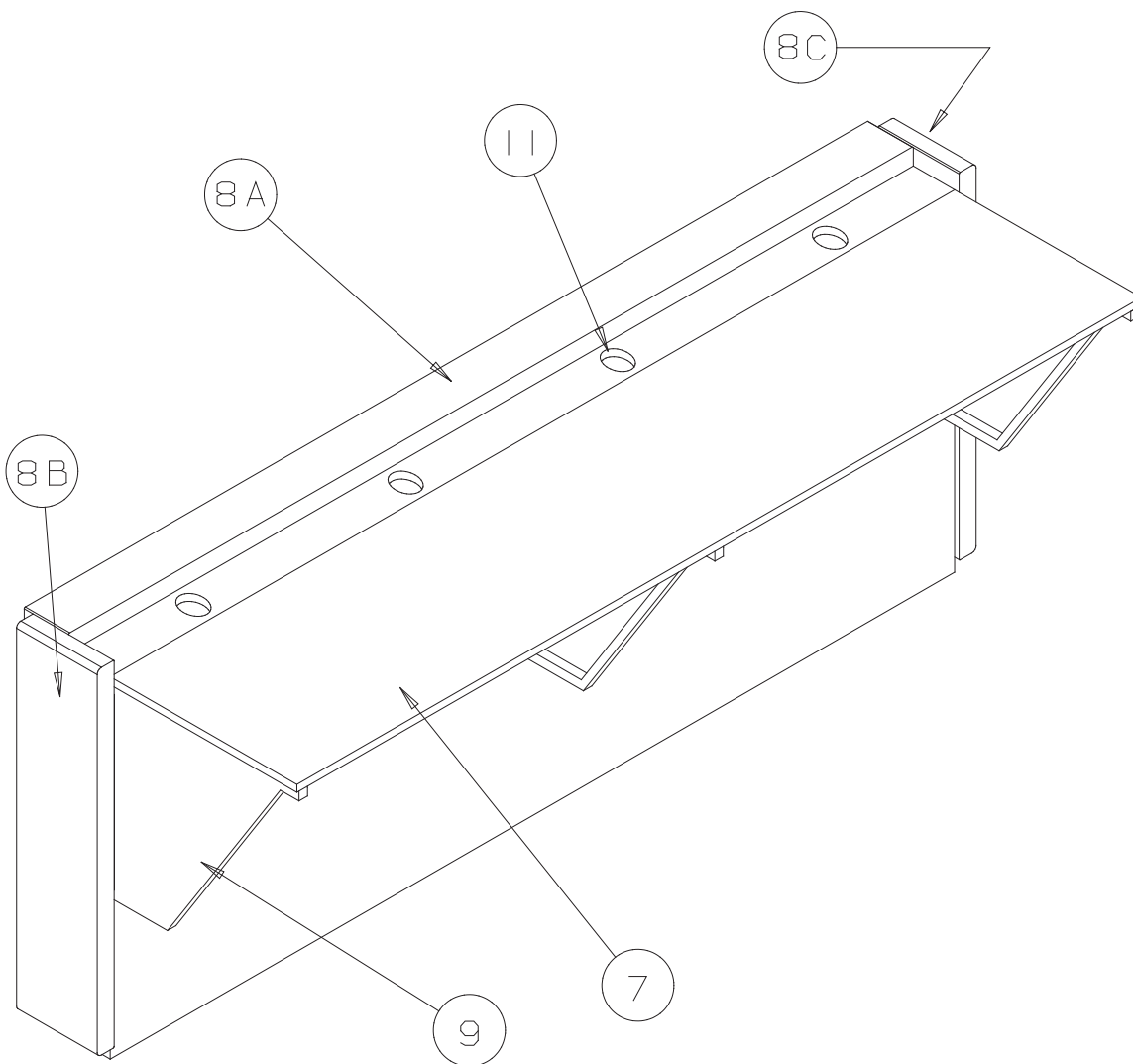


figure 1

DISPLAY ASSEMBLY

REPLACEMENT PARTS LIST

fig.& index	MFG PART NUMBER	DESCRIPTION	REF DES	VENDOR PART #
1-	E 00201	Table, 8' Bleacher Mount		E 00201
1-1	FA00427	Face, 8' Ad Panel		FA00427
1-2	850081	Lamp, F96T12 CW/HO		F96T12 CW/HO
1-3	EL00075	Receptacle Strip, with Breaker		EL00075
1-4	300506	Lamp Socket,		300506
1-5	300507	Lamp Socket,		300507
1-6	600051	Ballast, 51-741-CR		256-448-100-5
1-7	E 00206	Table Top, 8'		E 00206
1-8	E 00208	Pads, 8' Bleacher		E 00208
1-8A		Pad, Corner		
1-8B		Pad, Left End		
1-8C		Pad, Right End		
1-9	E 00212	Wing, 8' Bleacher		E 00212
1-10	E 00214	Base, 8'		E 00214
1-11	704821	Snap Bushing, 2.5"		SB-2.5-31
1-12	800043	Power Cord, 3 Cond. 14 AWG 9'		17629-B / 1W950
1-13	930108	Hinge, 3" Open .060 X .120 Pin		#1159
1-	E 00203	Table, 8' Floor Mount		E 00203
1-1	FA00427	Face, 8' Ad Panel		FA00427
1-2	850081	Lamp, F96T12 CW/HO		F96T12 CW/HO
1-3	EL00075	Receptacle Strip, with Breaker		EL00075
1-4	300506	Lamp Socket,		300506
1-5	300507	Lamp Socket,		300507
1-6	600051	Ballast, 51-741-CR		256-448-100-5
1-7	E 00206	Table Top, 8'		E 00206
1-8	E 00209	Pads, 8' Floor		E 00209
1-9	E 00213	Wing, 8' Floor		E 00213
1-10	E 00214	Base, 8'		E 00214
1-11	704821	Snap Bushing, 2.5"		SB-2.5-31
1-12	800043	Power Cord, 3 Cond. 14 AWG 9'		17629-B / 1W950
1-13	930108	Hinge, 3" Open .060 X .120 Pin		#1159