

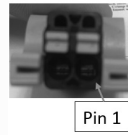
QTY	Ref	Item Number	Description
12'	1	025-00046	WIRE,PVC 18AWG 300V TWSTD,O/P
11.5'	2	025-00099	WIRE,PVC 18AWG 300V TWSTD,
8.5'	3	025-00057	WIRE,TWSTD,18AWG,O/V BLK/JACKT
106'	4	W100134P	CABLE,18/2 R/B GRV,KT,105C
17	C1	030-00109	Plug, 8PIN, 5.08mm,BLK/ORG
11	11	030-00104	Plug, 2PIN, 2.08mm,BLK/ORG
2	C3	030-00107	Plug, 4PIN, 5.08mm, BLK/ORG
1	C4	030-00106	CONN,SOCKET,2PIN,5.08MM BLACK
1	P1	062-00189	PWRSPLY,24V,96W
1	P2	062-00189	PWRSPLY,24V,96W
15"	5	800118	WIRE,PVC 18AWG 300VSTR VIOLET
148	1	030-00112	BULK,FERRULE,.75/14MM WHT

Cable specification [length (cable reference)]

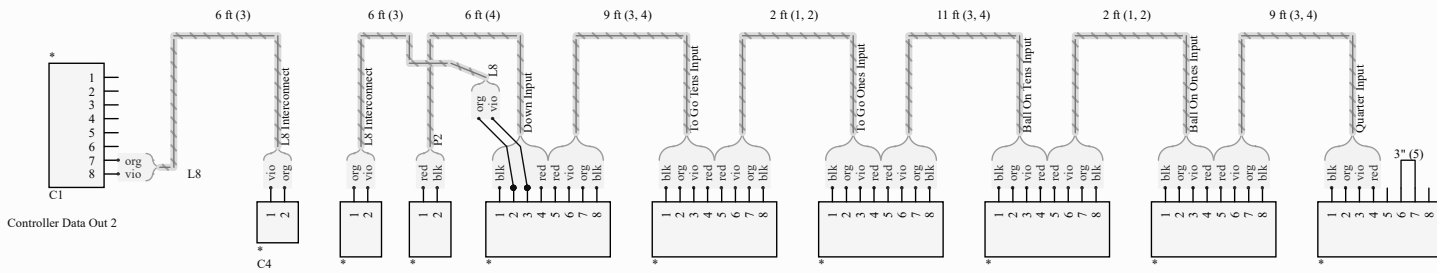
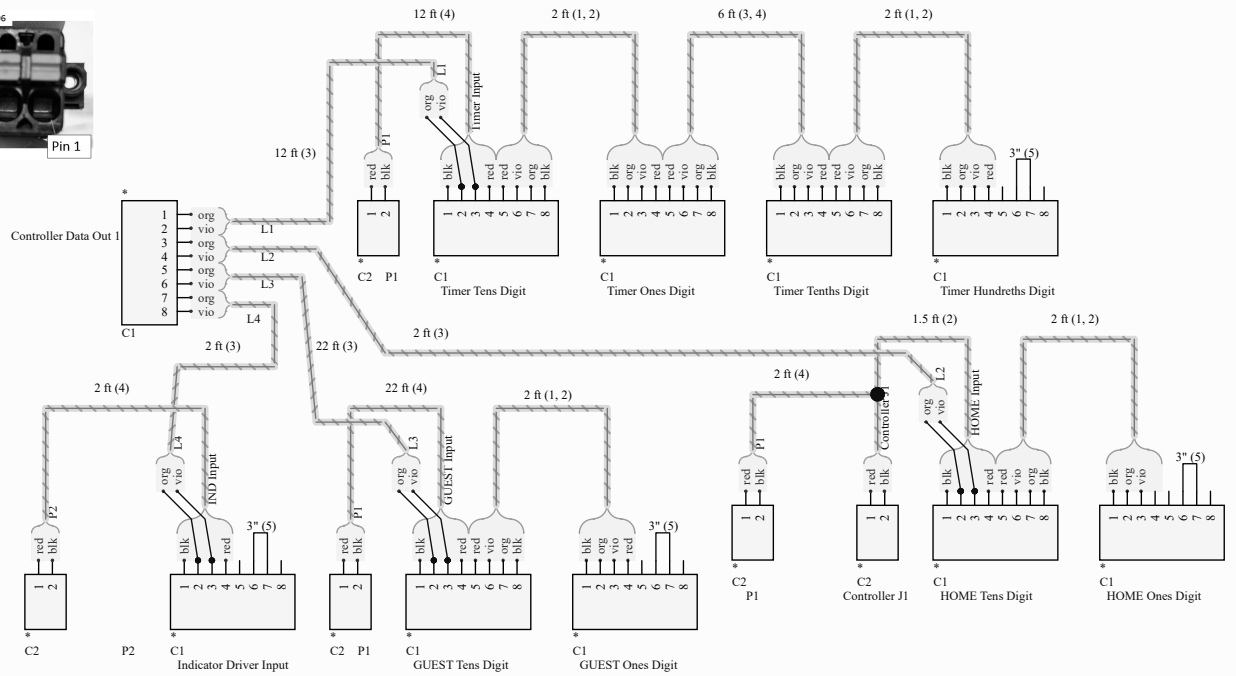
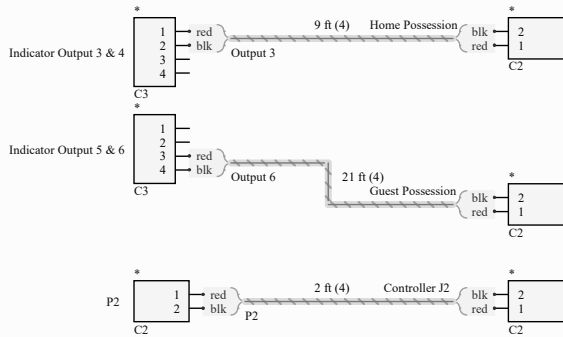
030-00109



030-00104



030-00106



- Instructions
1. Cut the cable (refer to the reference number) to length. Label each end.
  2. Crimp ferrule, 030-00112 to the ends of each cable wire.
  3. Crimp ferrule, 030-00113 to specified wires
  4. Insert wire into connectors (C1, C2, C3) according to pinout.

Title \* FB9244 Harnesses