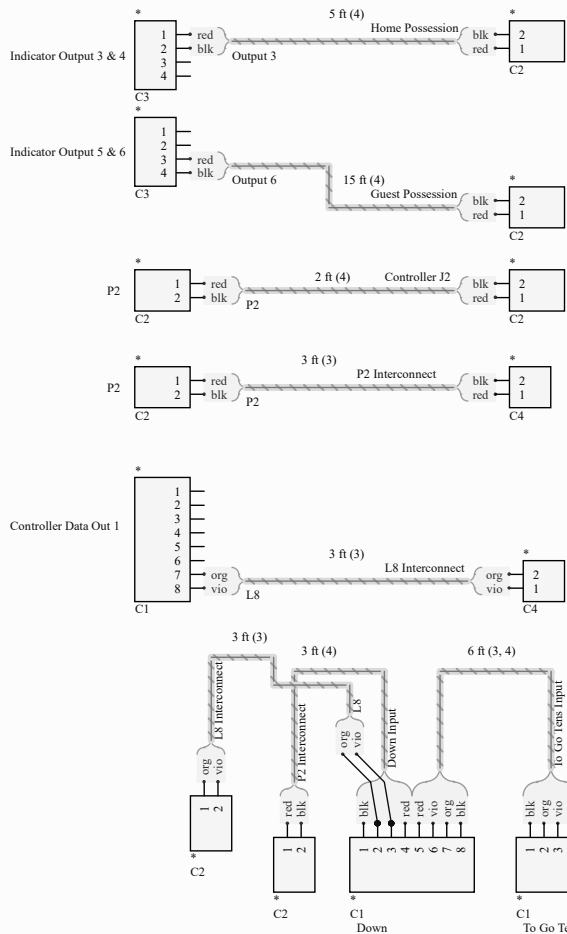


QTY	Ref	Item Number	Description
12'	1	025-00046	WIRE,PVC 18AWG 300V TWSTD,O/P
12'	2	025-00099	WIRE,PVC 18AWG 300V TWSTD,
103'	3	025-00057	WIRE,TWSTD,18AWG,O/V BLKJACKET
71'	4	W100134P	CABLE,18/2 R/B GRV JKT 105C
17	C1	030-00109	Plug, 8PIN, 5.08mm,BLK/ORG
12	C2	030-00104	Plug, 2PIN, 2.08mm,BLK/ORG
2	C3	030-00107	Plug, 4PIN, 5.08mm, BLK/ORG
2	C4	030-00106	CONN,SOCKET,2PIN,5.08MM BLACK
1	P1	062-00189	PWRSPLY,24V,96W
1	P2	062-00189	PWRSPLY,24V,96W
15"	5	800118	WIRE,PVC 18AWG 300VSTR VIOLET
154	-	030-00112	BULK,FERRULE,.75/.14MM WHT
2	-	030-00113	TWIN,FERRULE,.75/.19MM WHT

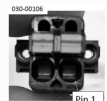
Cable specification [length (cable reference)]



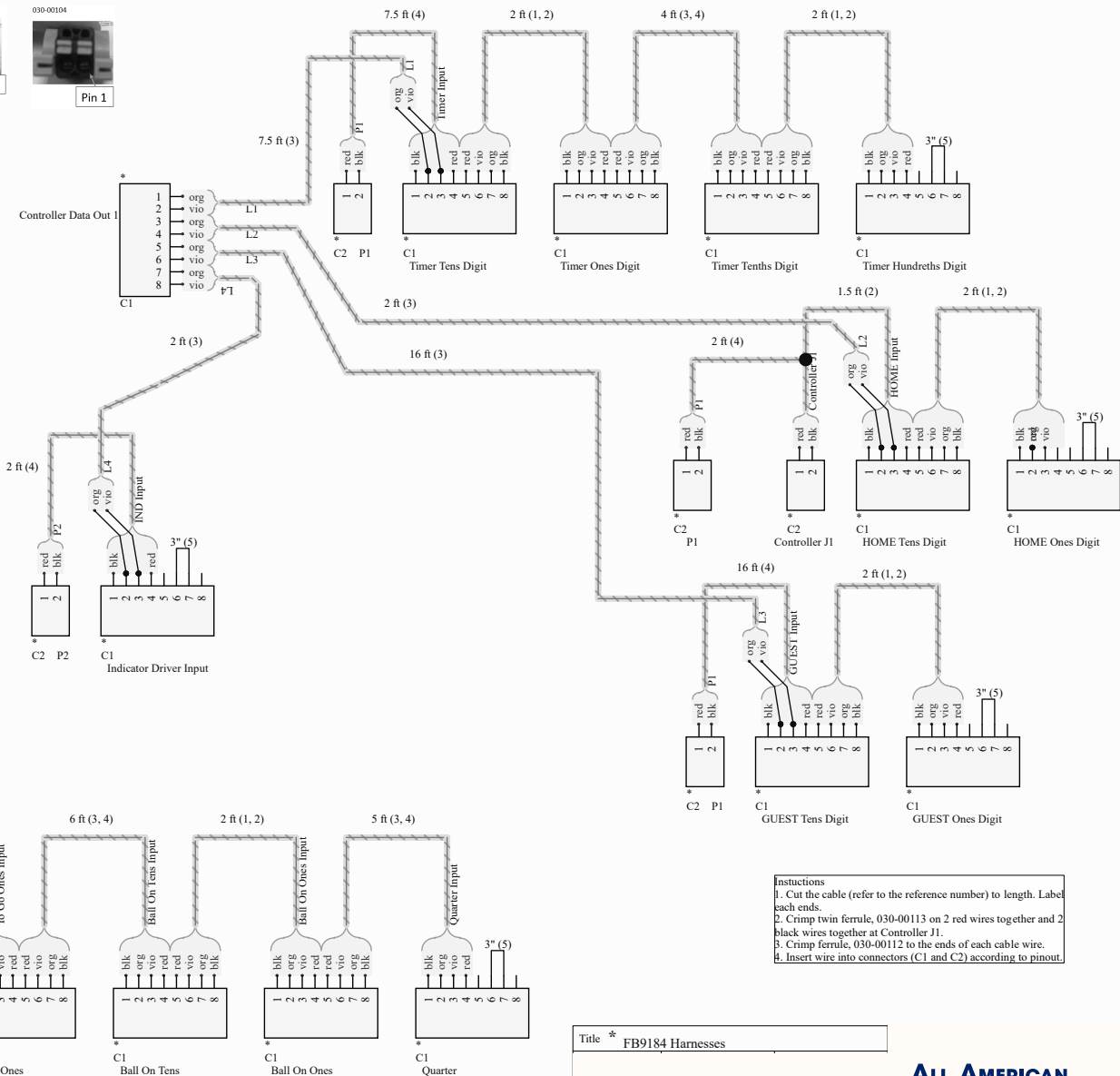
Pin 1



Pin 1



Pin 1



- Instructions
1. Cut the cable (refer to the reference number) to length. Label each end.
 2. Crimp twin ferrule, 030-00113 on 2 red wires together and 2 black wires together at Controller J1.
 3. Crimp ferrule, 030-00112 to the ends of each cable wire.
 4. Insert wire into connectors (C1 and C2) according to pinout.

Title * FB9184 Harnesses