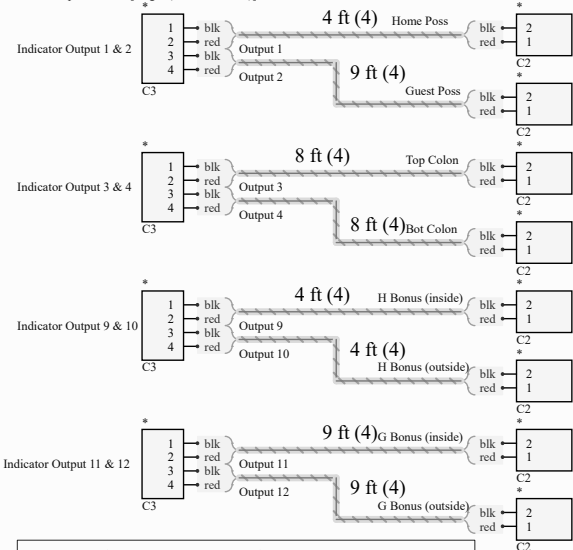
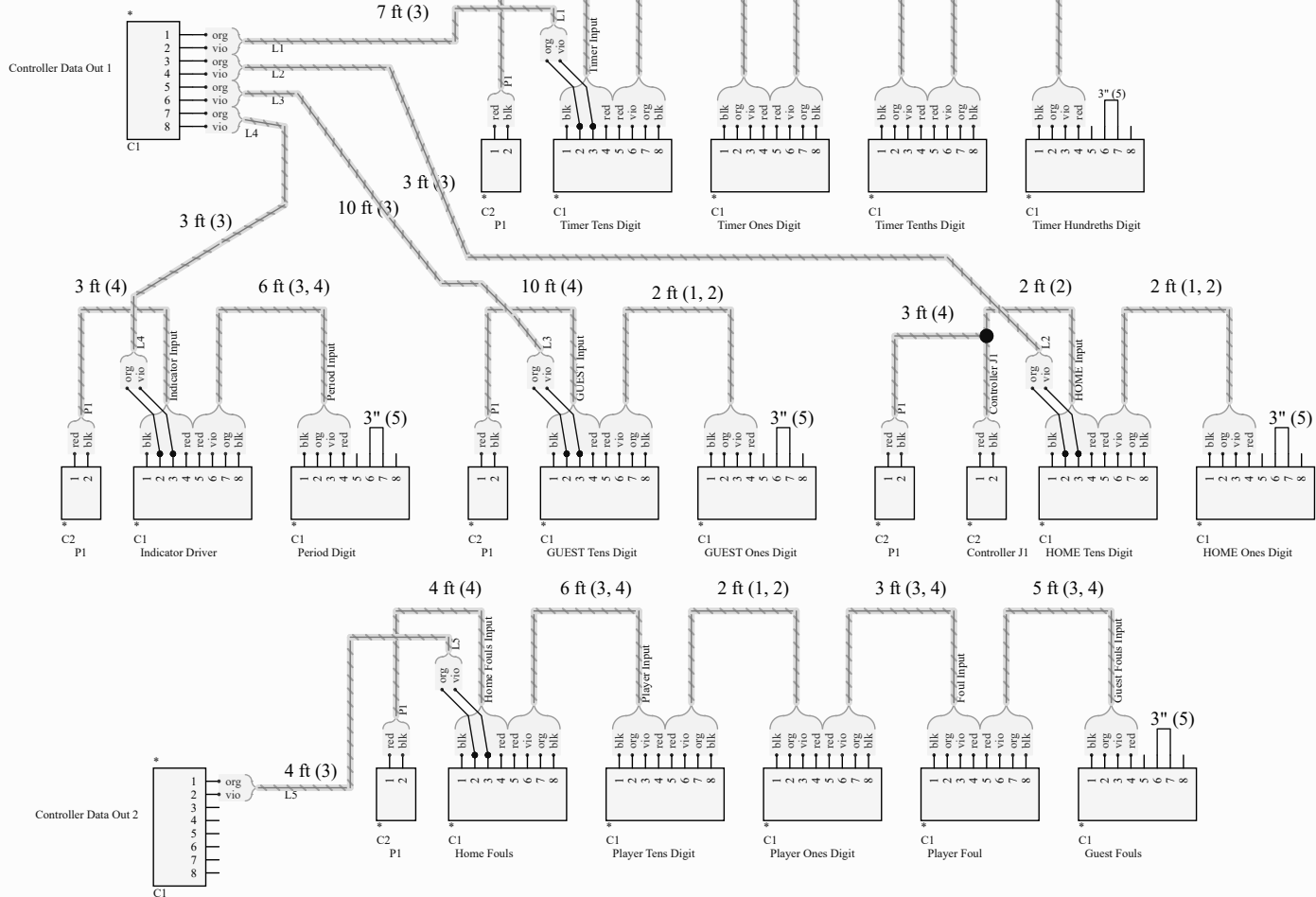


QTY	Ref	Item Number	Description
10'	1	025-00046	WIRE,PVC 18AWG 300V TWSTD,O/P
12'	2	025-00099	WIRE,PVC 18AWG 300V TWSTD,
44'	3	025-00057	WIRE,TWSTD,18AWG,O/V BLKJACKET
102'	4	W100134P	CABLE,18/2 R/B GR Y JKT 105C
17	C1	030-00109	Plug, 8PIN, 5,08mm,BLK/ORG
14	C2	030-00104	Plug, 2PIN, 2,08mm,BLK/ORG
4	C3	030-00107	Plug, 4PIN, 5,08mm, BLK/ORG
1	P1	062-00189	PWRSPLY,24V,96W
1.25'	5	800118	WIRE,PVC 18AWG 300VSTR VIOLET
164	-	030-00112	BULK,FERRULE,.75/.14MM WHT
2	-	030-00113	TWIN,FERRULE,.75/.19MM WHT

Cable specification [length (cable reference)]



Controller Data Out 1



Revision Control  
 A. Add optional TOL. Must remove remove 3" p/n 800118 from Period Digit p/n 030-00109. Install optional TOL to Period Digit p/n 030-00109.

Instructions  
 1. Cut the cable (refer to the reference number) to length. Label each ends.  
 2. Crimp ferrule, 030-00112 to the ends of each cable wire.  
 3. Crimp ferrule, 030-00113 to specified wires  
 4. Insert wire into connectors (C1, C2, C3) according to pinout.

Title BK9104 Harnesses

