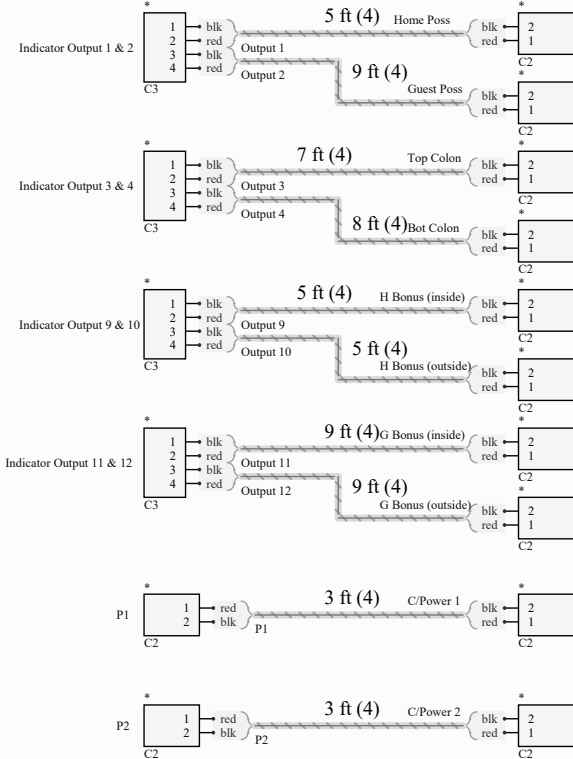


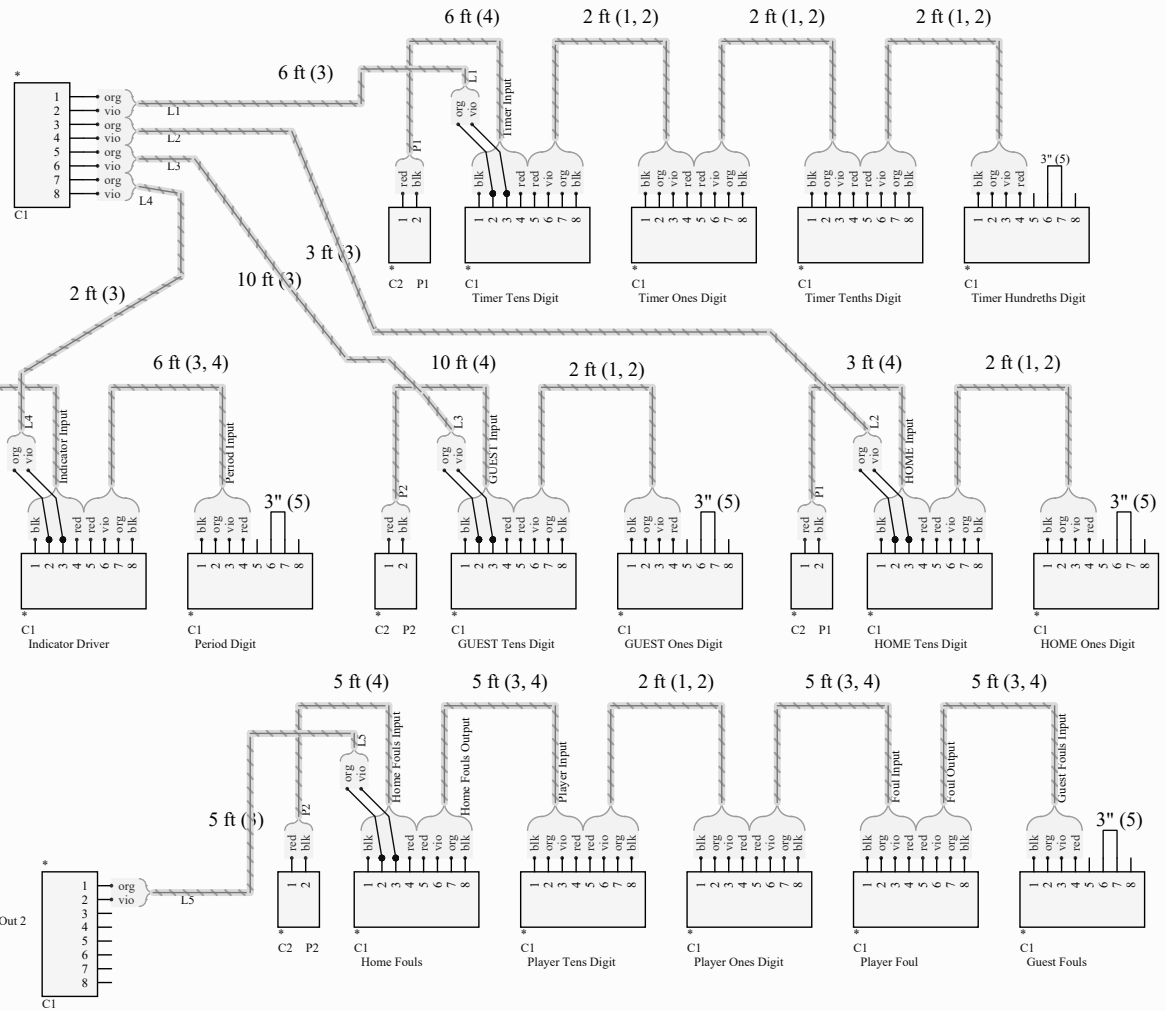
QTY	Ref	Item Number	Description
12'	1	025-00046	WIRE,PVC 18AWG 300V TWSTD,O/P
12'	2	025-00099	WIRE,PVC 18AWG 300V TWSTD,
46'	3	025-00057	WIRE,TWSTD,18AWG,O/V BLKJACKET
108'	4	W100134P	CABLE,18/2 R/B GR Y JKT 105C
17	C1	030-00109	Plug, 8PIN, 5,08mm,BLK/ORG
17	C2	030-00104	Plug, 2PIN, 2,08mm,BLK/ORG
4	C3	030-00107	Plug, 4PIN, 5,08mm, BLK/ORG
1	P1	062-00189	PWRSPLY,24V,96W
1	P2	062-00189	PWRSPLY,24V,96W
1.25'	5	800118	WIRE,PVC 18AWG 300VSTR VIOLET
170	-	030-00112	BULK,FERRULE,.75/14MM WHT

Cable specification [length (cable reference)]



Controller Data Out 1

Controller Data Out 2



Revision Control	
A.	Add cable length
B.	Correct Labeling
C.	Correct pin outs for indicator outputs

Instructions

1. Cut the cable (refer to the reference number) to length. Label each end.
2. Crimp ferrule, 030-00112 to the ends of each cable wire.
3. Insert wire into connectors (C1, C2, C3) according to pinout.

Title BK9082 Harness

ALL AMERICAN
SCOREBOARDS