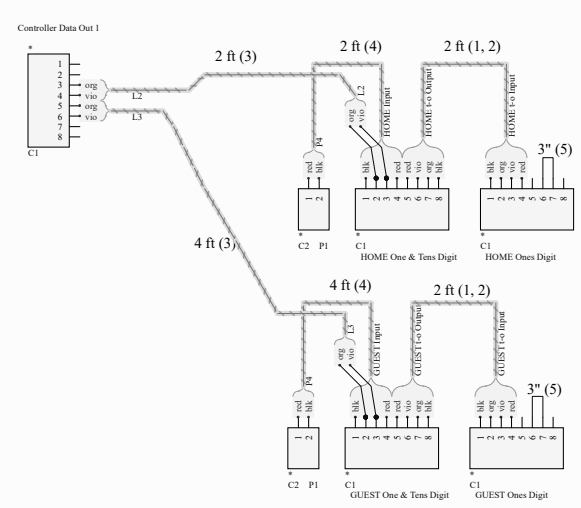
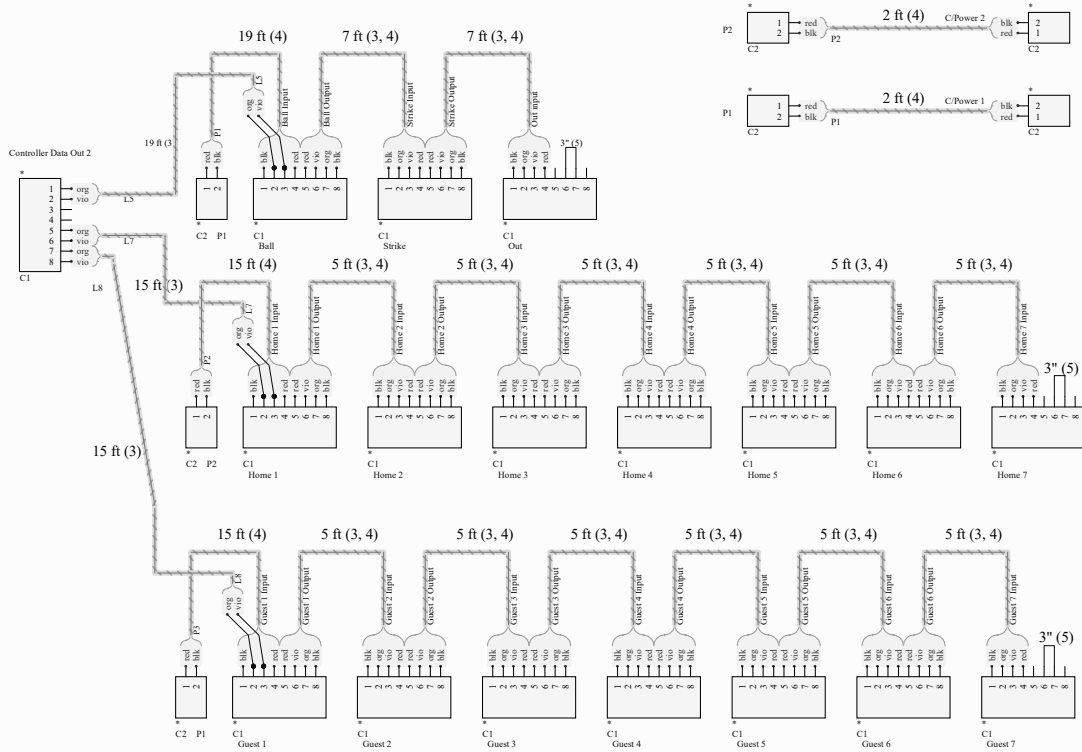


QTY	Ref	Item Number	Description
4'	L	025-00046	WIRE,PVC 18AWG 300V TWSTD,OP
4'	L	025-00099	WIRE,PVC 18AWG 300V TWSTD
23'	B	025-00057	WIRE,TWSTD,18AWG,OV, BLK/JACKET
30'	H	W100134P	CABLE,1/8" R/B GRV JKT 105C
23'	C1	030-00109	Plug,4PIN,5.08mm,BLK/ORG
7'	C2	030-00104	Plug,2PIN,2.08mm,BLK/ORG
1	P1	062-00188	PWRSPLY,24V,300W output 1
1	P2	062-00188	PWRSPLY,24V,300W output 2
1	P3	062-00188	PWRSPLY,24V,300W output 3
1	P4	062-00188	PWRSPLY,24V,300W output 4
15"	S	800118	WIRE,PVC 18AWG 300VSTR VIOLET
194'	F	030-00112	BULK,FERRULE,75.14MM WHT

Cable specification [length (cable reference)]



- Instructions
1. Cut the cable (refer to the reference number) to length. Label each end.
  2. Crimp ferrule, 030-00112 to the ends of each cable wire.
  3. Insert wire into connectors (C1, and C2) according to pinout.

Revision Control  
A. Remove Home 8 and Guest 8

Title BA9167 Harnesses

