

QTY	Ref	Item Number	Description
4'	1	025-00046	WIRE,PVC 18AWG 300V TWSTD,O/P
6'	2	025-00099	WIRE,PVC 18AWG 300V TWSTD,
27'	3	025-00057	WIRE,TWSTD,18AWG,O/V BLK/JACKET
65'	4	WI00134P	CABLE,18/2 R/B GRY JKT 105C
7	C1	030-00109	Plug, 8PIN, 5.08mm,BLK/ORG
11	C2	030-00104	Plug, 2PIN, 2.08mm,BLK/ORG
4	C3	030-00107	Plug, 4PIN, 5.08mm, BLK/ORG
1	P1	062-00189	PWRSPLY,24V,96W
9"	5	800118	WIRE,PVC 18AWG 300VSTR VIOLET
84	-	030-00112	BULK,FERRULE,.75/14MM WHT
2	-	030-00113	TWIN,FERRULE,.75/19MM WHT

Cable specification [length (cable reference)]

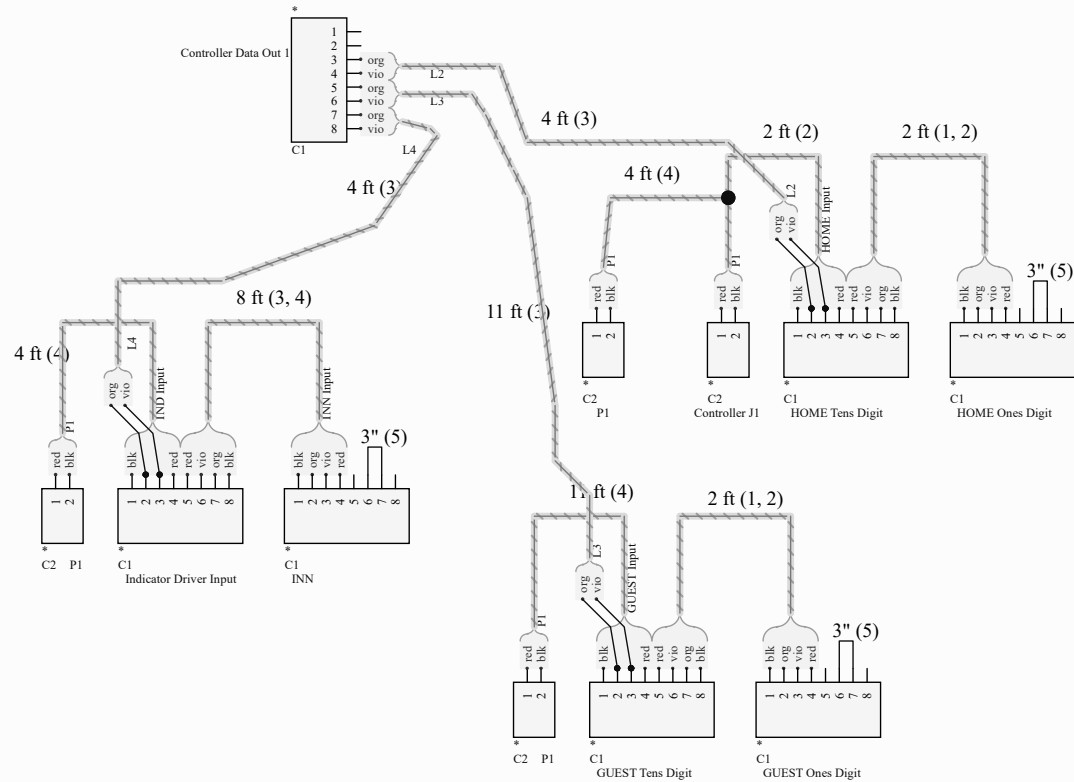
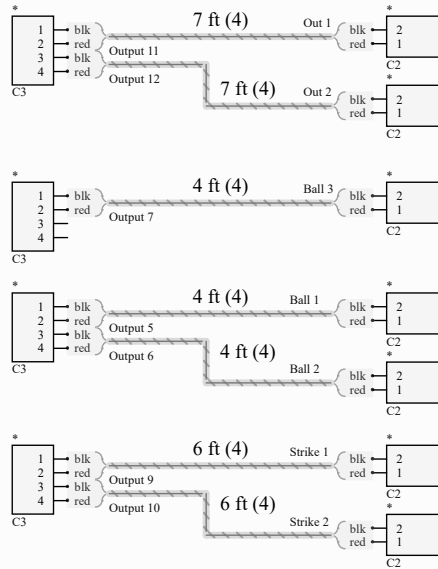
030-00109



030-00107



030-00104



Revision Control	
A.	Add cable length
B.	Cable Length Correction

- Instructions
1. Cut the cable (refer to the reference number) to length. Label each end.
 2. Crimp ferrule, 030-00112 to the ends of each cable wire.
 3. Crimp ferrule, 030-00113 to specified wires.
 4. Insert wire into connectors (C1, C2, and C3) according to pinout.

Title BA9081 Harnesses

ALL AMERICAN
SCOREBOARDS®